

TRX PIR

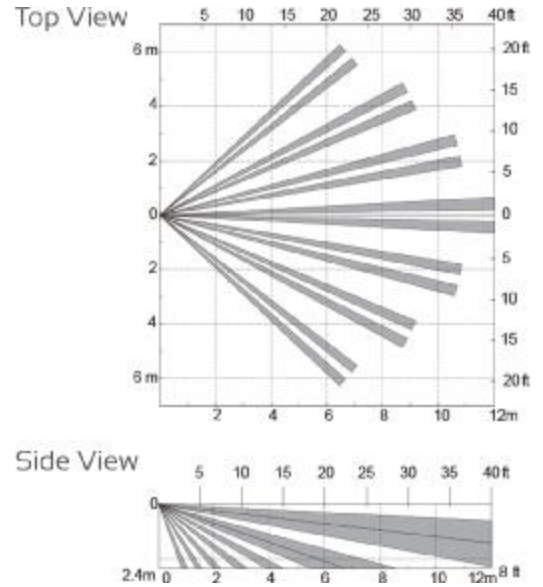
Wireless Pet Friendly Passive Infrared Motion Sensor



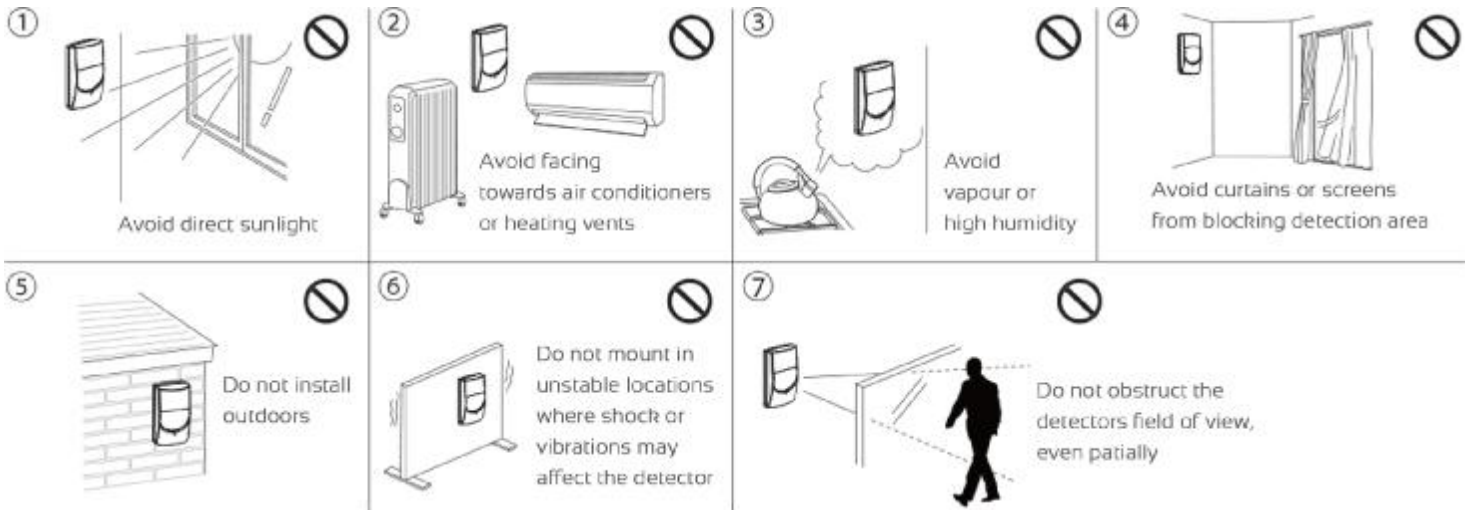
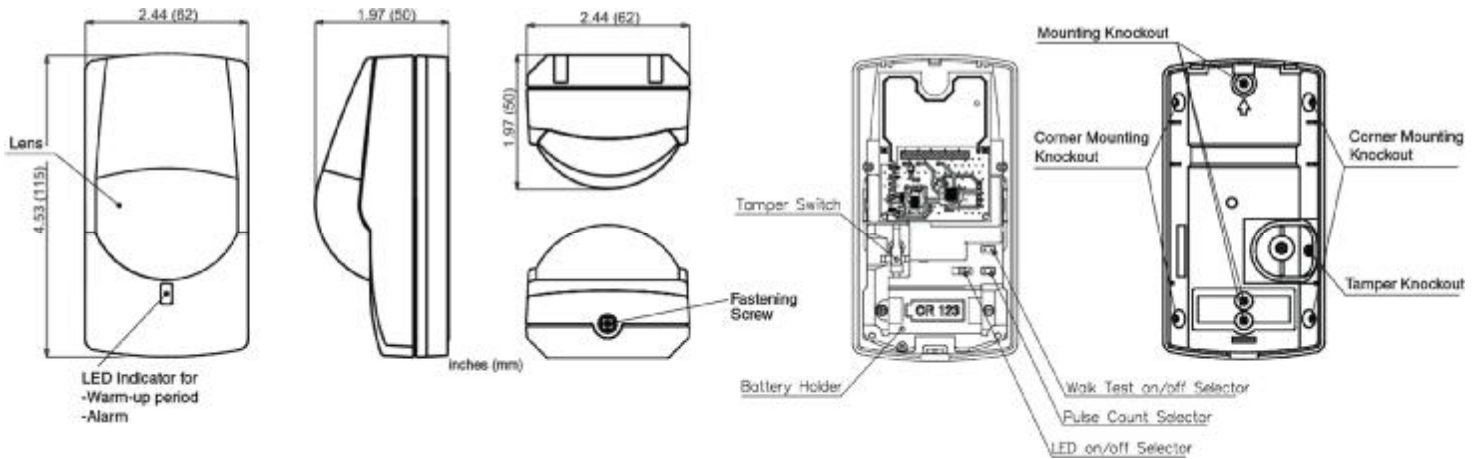
Specifications:

Detection Method	Passive Infrared
Coverage	12m x 12m @85°
Frequency	917.1 to 921.3MHz
Mounting Height	1.5m to 2.4m
LED Indicator	On/Off Selectable
Tamper Switch	Front Cover Micro Switch
Battery Type	1 x CR123A/CR17335
Battery Life	Up to 5 Years
Operating Temperature	-20°C to 50°C
Environment Humidity	85% max.
Pet Immunity	Small Animals 0-40cm High
Radio Device Protocol	Freelink Supervised
Compatible Systems	ESL, ESL-2, Elite-S, Runner
Requires	TRX TRANSCIEVER

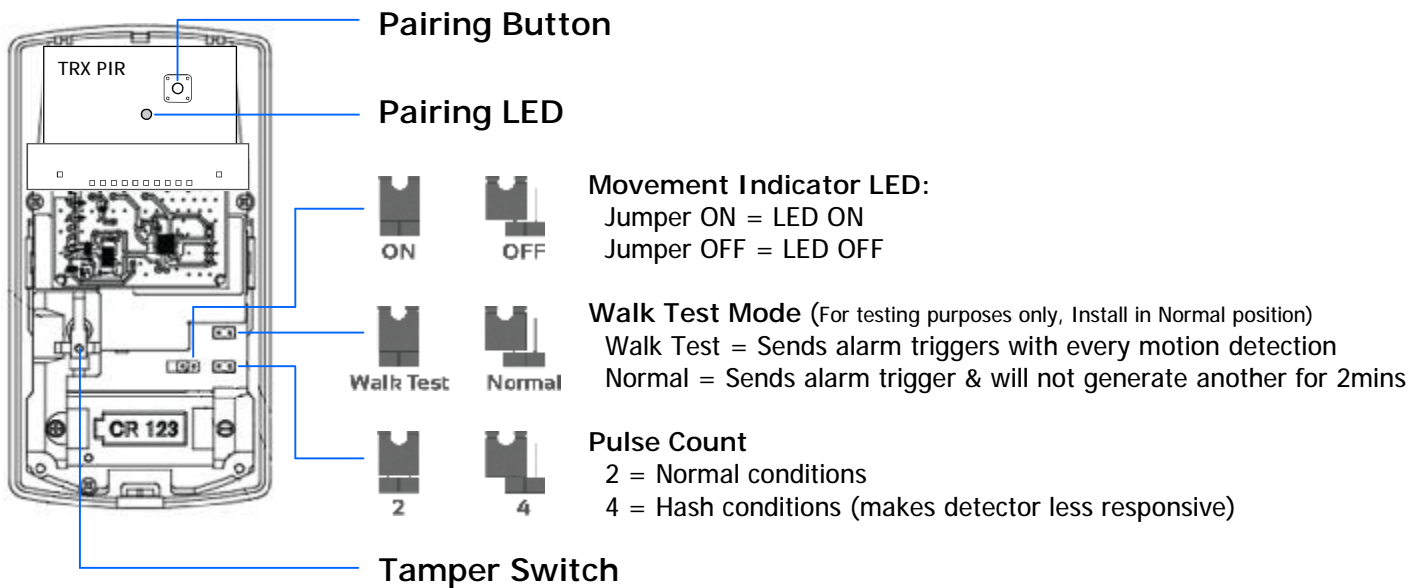
Detection Area



Hardware & Mounting



Pairing and Jumper Options



Programming

1. Insert Battery into TRX PIR
2. Connect the TRX Transceiver to Alarm panel
3. Press the Red Pairing Button on the TRX PIR until the Red Pairing LED starts flashing
4. Now press the Pairing button on the TRX Transceiver until the blue LED starts flashing
5. The Red Pairing LED should stop flashing to indicate dice is paired successfully
6. Enter programming mode on the Alarm panel (P 000000 E *default installer code*)
7. Press PROG 122 ENTER then the input number you wish to make wireless, followed by ENTER, Next make sure options 1 & 5 are ON and ENTER, *this makes the input active and wireless*
8. Press PROG 164 ENTER then the input number you wish to enrol the device into and ENTER
9. Press ENTER again to start learning, *the keypad will start beeping to indicate it's searching*
10. Activate the TRX PIR Tamper switch, *the beeping should stop, indicating device is learnt*

Testing

1. Once programming is complete, Fit the TRX PIR in place on the wall
2. Enter programming mode on the Alarm panel (P 000000 E *default installer code*)
3. Press PROG 200 Enter, 6 ENTER, ENTER (keypad will beep & WALK will come up on the display)
4. Leave the room with the detector in it undisturbed for at least 2 minutes.
5. After 2 minutes walk into the room and into the detection zone.
6. The keypads display will then indicate all the inputs that have been triggered. *These triggers will remain on the display until you exit the Walk test mode.*
7. Exit programming mode.

ARROWHEAD ALARM PRODUCTS Ltd.

1A Emirali Road,
Silverdale 0932,
Auckland, NZ
Ph. 09 414 0085
www.aap.co.nz
v2.1



Arrowhead
Alarm Products